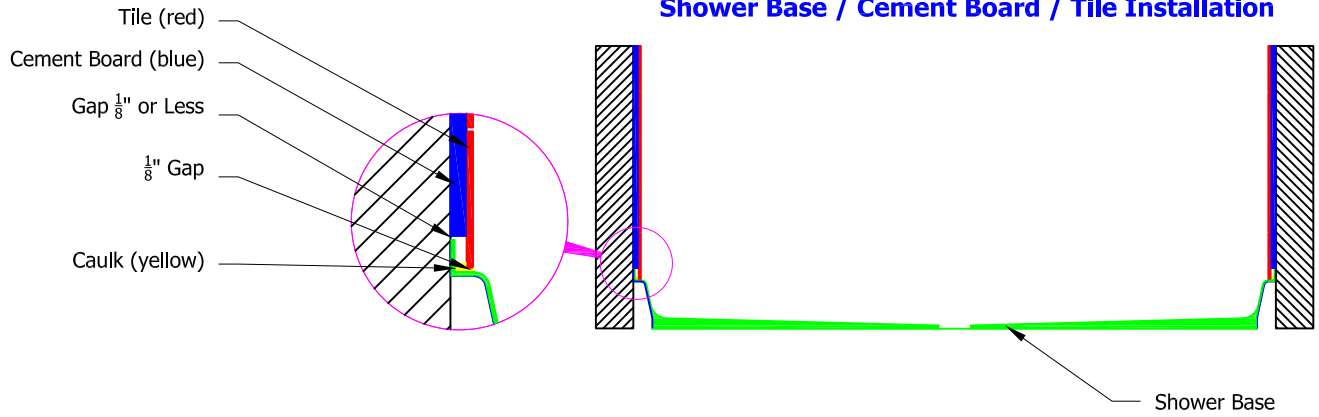
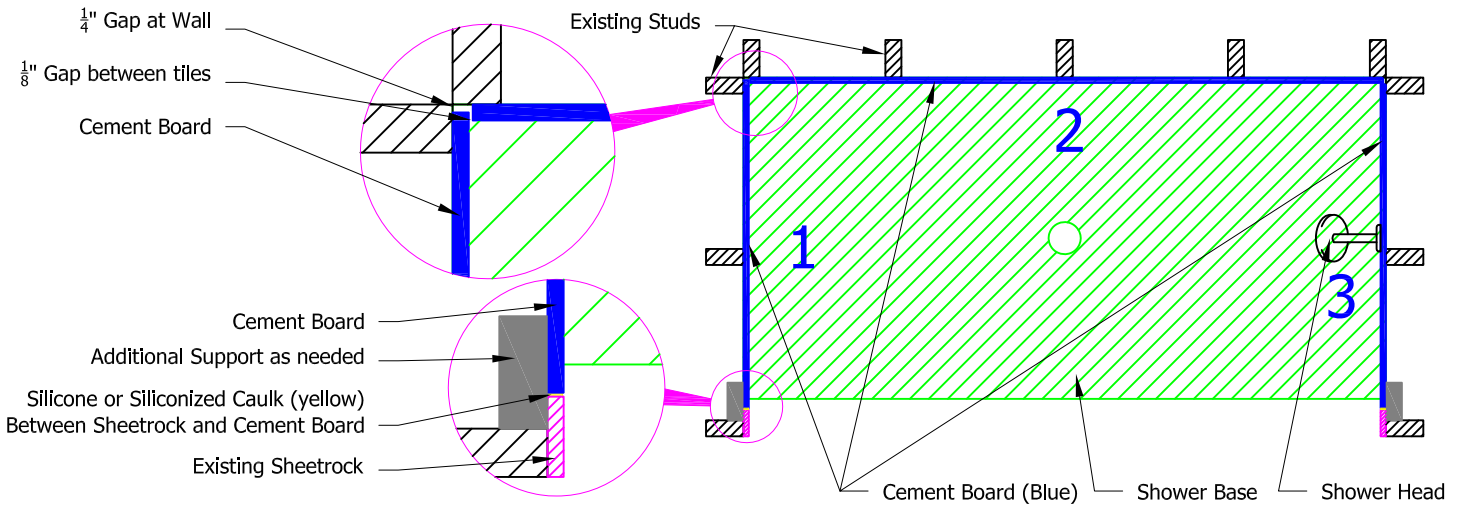


Shower / Tub Installation Drawings

Shower Base / Cement Board / Tile Installation



$\frac{1}{2}$ " Cement Board - Order of Installation



Tile - Order of Installation

